

Peak Emission Wavelength: 1040nm

The MTE4110C5 consists of a 1040nm high output die in a water-clear plastic molded package. Custom package solutions and sorting are available.

FEATURES

- > High Output Power
- > High Reliability
- > Compact

APPLICATIONS

- > Optical Switches
- > Optical Sensors
- > Fiber Optical Communication



Absolute Maximum Ratings (Ta=25°C)

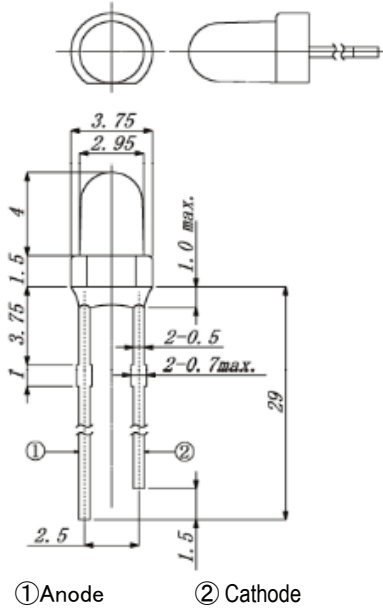


ITEMS	SYMBOL	RATINGS	UNIT
Forward Current	IF	100	mA
Forward Current (Pulse)*1	IFP	1	A
Reverse Voltage	VR	5	V
Power Dissipation	PD	--	mW
Operating Temperature Range	Topr	-20 ~ +80	°C
Storage Temperature Range	Tstg	-30 ~ +100	°C
Lead Soldering Temperature*2	Tls	260	°C

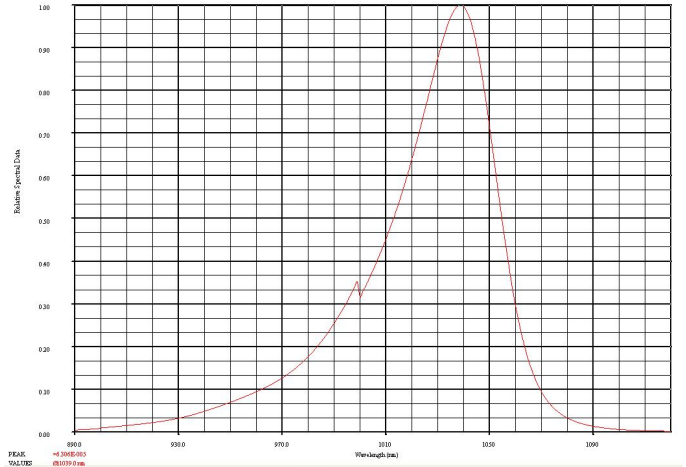
*1: Tw=10μsec, T=10msec; *2: Time 5 Sec max, Position: Up to 3mm from the body.

Electrical & Optical Characteristics (Ta = 25°C)

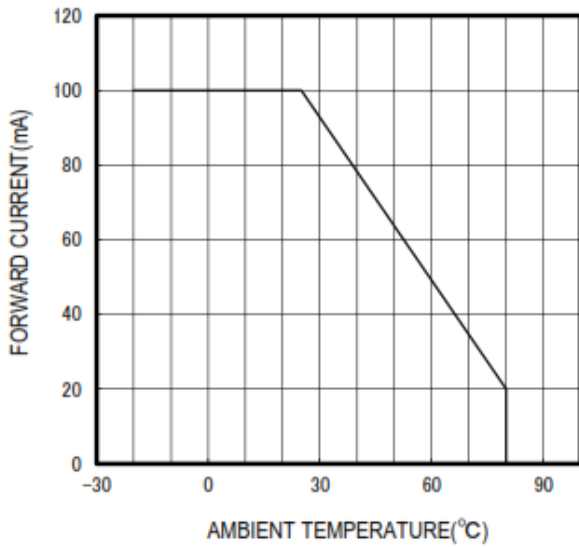
ITEMS	SYMBOL	CONDITIONS	MIN	TYP	MAX	UNIT
Power Output	PO	IF=50mA	--	26.6	--	mW
Forward Voltage	VF	IF=50mA	--	1.3	--	V
Reverse Current	IR	VR=5V	--	--	100	μA
Peak Emission Wavelength	λp	IF=50mA	--	1040	--	nm
Spectral Line Half Width	Δλ	IF=50mA	--	42	--	nm
Half Intensity Beam Angle	Θ	IF=50mA	--	±15	--	deg



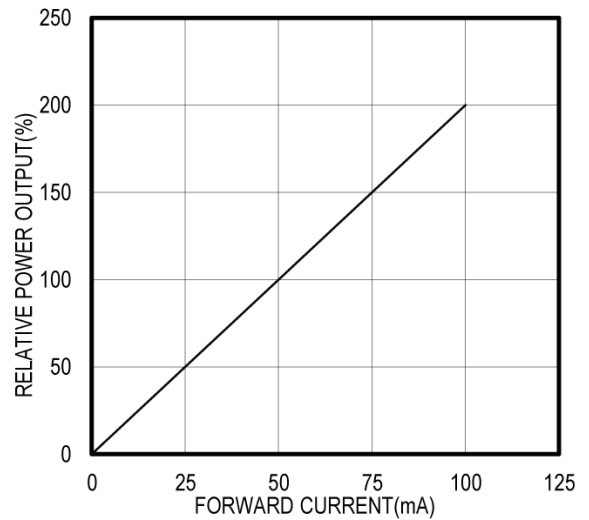
SPECTRAL RESPONSE



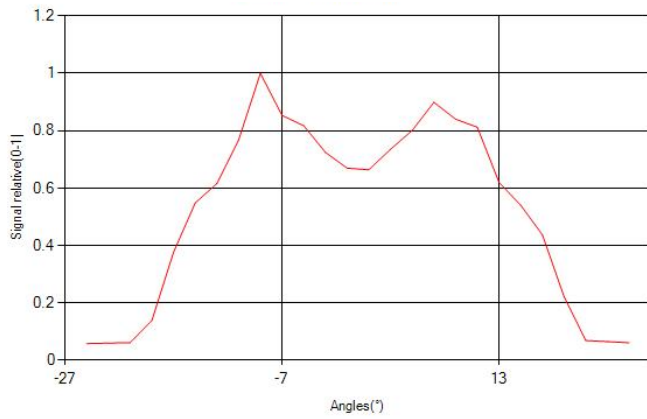
THERMAL DERATING CURVE



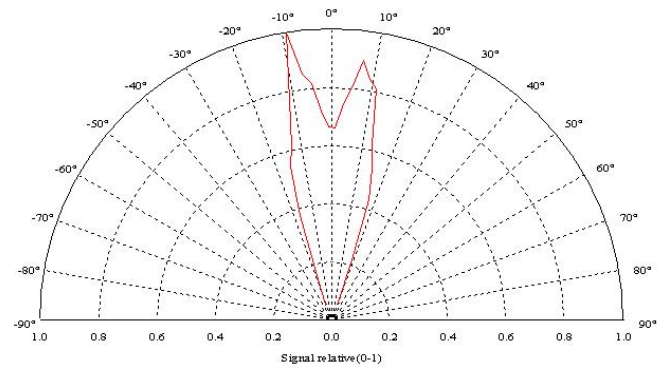
RELATIVE POWER vs FORWARD CURRENT



RADIATION DISTRIBUTION



VIEW ANGLE



The information contained herein is subject to change without notice.

2024-03-18